

## DECON ER

CIVILIAN RESCUE VERSION OF THE DECON VEHICLE FOR  
DISINFECTION AND DECONTAMINATION.

### BOOMLIFT PLATFORM

A platform for 1-2 operators is fitted to a telescopic boom. The platform can be lifted, rotated and tilted. Controls are easy and mounted inside the cage and on the vehicle.

★  
**NEW  
PRODUCT**

**12<sub>M</sub>**  
**HEIGHT REACH**

**7<sub>M</sub>**  
**SIDE REACH**

**2,400<sub>L</sub>**  
**TANK CAPACITY**

The **DECON** vehicle is designed to perform the entire decontamination of vehicles, people, armament and gear, including oversized equipment, decontamination of terrain, aircraft, buildings and various objects thanks to the use of high-reach operator platform.

**DECON** can be configured for service in civilian rescue forces such as special firefighter units and Civilian Defence Forces, enhancing the user capabilities with latest technology of high pressure hot water sanitation. Almost any liquid mixture for treatment of object surfaces is available as the system does not rely on any specific substance.

### NOZZLE SPRAY BARS

Bars are mounted at the bottom of the moving platform which is lifted above the passing vehicle silhouette. By simple platform positioning its height and angle can be changed on the go to optimize the efficiency of the water curtain through which the vehicles pass.

### STATIONARY GATE FRAME

Static gate can be deployed next to the vehicle with nozzles aimed inwards at the passing vehicle. A hardened rubber catch tank gathers contaminated water which is drained into a self-sustained bag for efficient disposal.

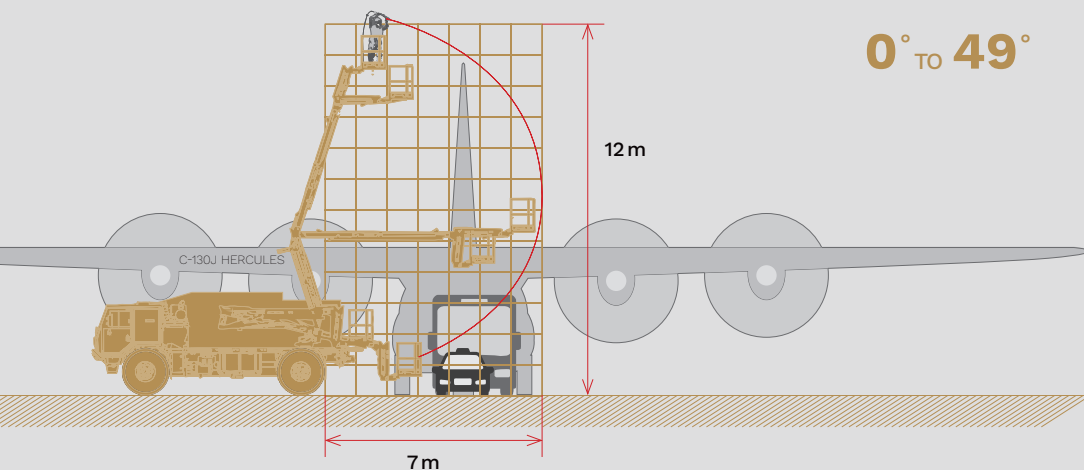


## SPECIFIC PARAMETERS

overall tank capacity	2,400l
individual tank capacity	2x 700l + 1x 1,000l
platform height reach	12m
platform side reach	7m
platform load capacity	200kg
pressure unit operation	cold at high pressure
	warm at low pressure
	hot at high pressure
	steam decontamination
	liquid and powdered decontamination mixes
	auxilliary electrical source



0° TO 49°



## PARAMETERS

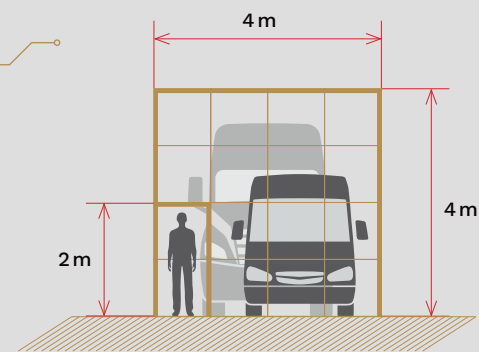
weight		19 t
dimensions	L	7,820 mm without the platform
		9,100 mm with the platform
	W	2,550 mm
	H	3,150 mm
engine	type	Tatra T3C-928.81, V8
	output	270 kW
mobility	top speed - on road	115 km/h (without limiter)
		90 km/h (with limiter)
	top speed - off road	30 km/h
	cruising range	1,000 km
	fording depth	1.2 m (instant) / 1.5 m (with preparation)
	gradient	40°
	side slope	17°
	obstacle	0.5 m
	trench crossing	0.9 m

### DECONTAMINATION FRAME

The disinfection gate can be installed on any even ground, one or in series to speed up the process. Each DECON vehicle carries one decontamination gate with accessories.



Find more at:  
[decon.excalibur.army](http://decon.excalibur.army)



EXCALIBUR ARMY spol. s r.o.  
Kodaňská 521  
101 00 PRAHA 10  
Czech Republic

EXCALIBUR ARMY spol. s r.o.  
Olomoucká 1841/175  
785 01 ŠTERNBERK  
Czech Republic

EXCALIBUR ARMY spol. s r.o.  
Tovární 1553  
535 01 PŘELOUČ  
Czech Republic

EXCALIBUR ARMY spol. s r.o.  
Čepí 101  
533 32 ČEPÍ  
Czech Republic

member of **CSG**  
CZECHOSLOVAK GROUP