

## EXCELENT MOBILITY

Light 4x4 configuration of the Tatra chassis for easy access to both urban and natural terrain areas.

## EFFECTIVITY

High capacity of water and chemical substance mixing chambers, high pressure unit, floating pump for fast tactical operation.

## OPERATOR PLATFORM

Allows high reach and multiplies the options to use the vehicle.

## WIDE DECONTAMINATION OPTIONS

Decontamination by hand gun, stationary automated or in movement thanks to frontal spray bar - fast decontamination of roads, airports or decontamination areas. Ability to decontaminate people, fight fires and mitigate industrial, ecological or health catastrophies.

## PLATFORM VARIABILITY

The option to equip the vehicle with an armoured cabin, another axles or option to customize the superstructure equipment as needed.

# DECON

UNIVERSAL DECONTAMINATION AND DESINFECTATION VEHICLE WITH A PRACTICAL HIGH-REACH OPERATOR PLATFORM.

★  
NEW  
PRODUCT

1+2  
CREW

115 KM/H  
🕒

H  
TATRA

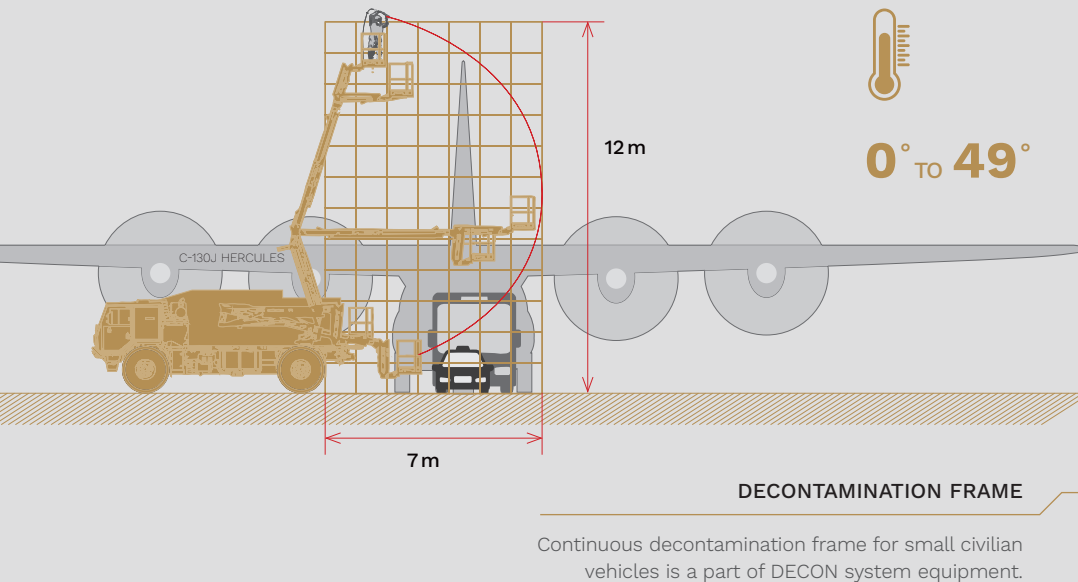


The **TMVA DECON-17 EX** decontamination vehicle is designed to perform the entire decontamination of vehicles, people, armament and gear, incl. oversized equipment, decontamination of terrain, aircrafts, buildings and various objects thanks to the use of high-reach operator platform.

This vehicle is able to operate individually and also by the way of establishing decontamination workplaces for team-linked decontamination. It allows manual and automated decontamination thanks to use of a spraying bar on the platform or decontamination frame. It is a highly mobile vehicle on a modern **TATRA** military chassis with a 4x4 configuration. Optionally the vehicle can be made in a 6x6 configuration which allows higher tank capacity, even higher performance or reach of the platform. In case of customer preference, the vehicle can also be equipped with an armoured cabin.

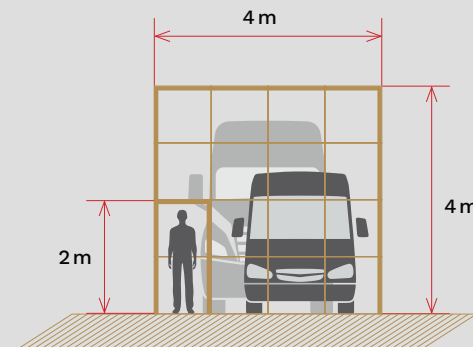
## SPECIFIC PARAMETERS

overall tank capacity	2,400l
individual tank capacity	2 x 700l + 1 x 1,000l
platform height reach	12m
platform side reach	7m
platform load capacity	200kg
pressure unit operation	cold at high pressure
	warm at low pressure
	hot at high pressure
	steam decontamination
	liquid and powdered decontamination mixes
	auxilliary electrical source



## PARAMETERS

weight		19 t
dimensions	L	7,820 mm without the platform 9,100 mm with the platform
	W	2,550 mm
	H	3,150 mm
engine	type	Tatra T3C-928.81, V8
	output	270 kW
mobility	top speed - on road	115 km/h (without limiter) 90 km/h (with limiter)
	top speed - off road	30 km/h
	cruising range	1,000 km
	fording depth	1.2 m (instant) / 1.5 m (with preparation)
	gradient	40°
	side slope	17°
	obstacle	0.5 m
	trench crossing	0.9 m



EXCALIBUR ARMY spol. s r.o.  
Kodaňská 521  
101 00 PRAHA 10  
Czech Republic

EXCALIBUR ARMY spol. s r.o.  
Olomoucká 1841/175  
785 01 ŠTERNBERK  
Czech Republic

EXCALIBUR ARMY spol. s r.o.  
Tovární 1553  
535 01 PŘELOUČ  
Czech Republic

EXCALIBUR ARMY spol. s r.o.  
Čepí 101  
533 32 ČEPÍ  
Czech Republic

member of **CSG**  
CZECHOSLOVAK GROUP